

A

B

C

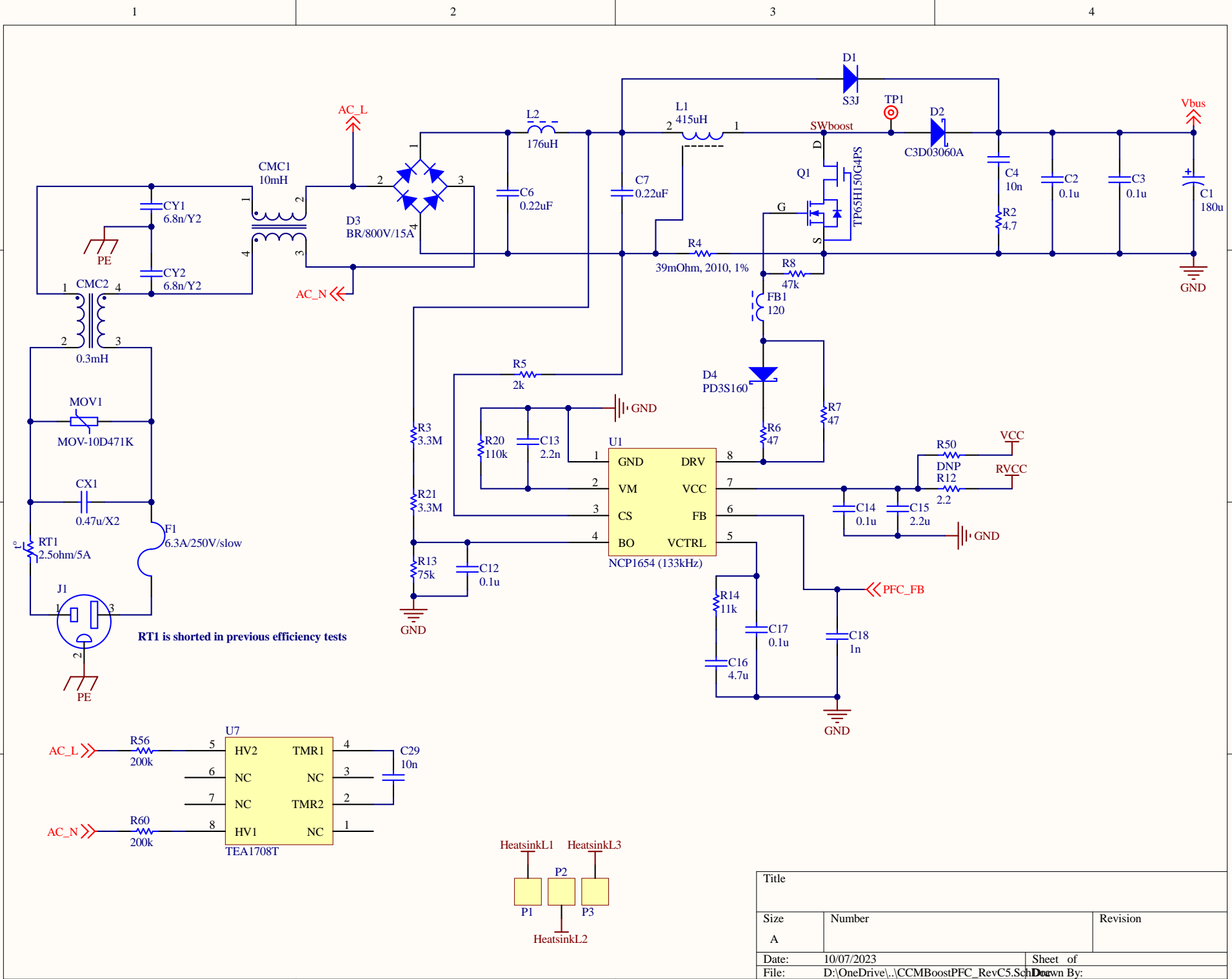
D

A

B

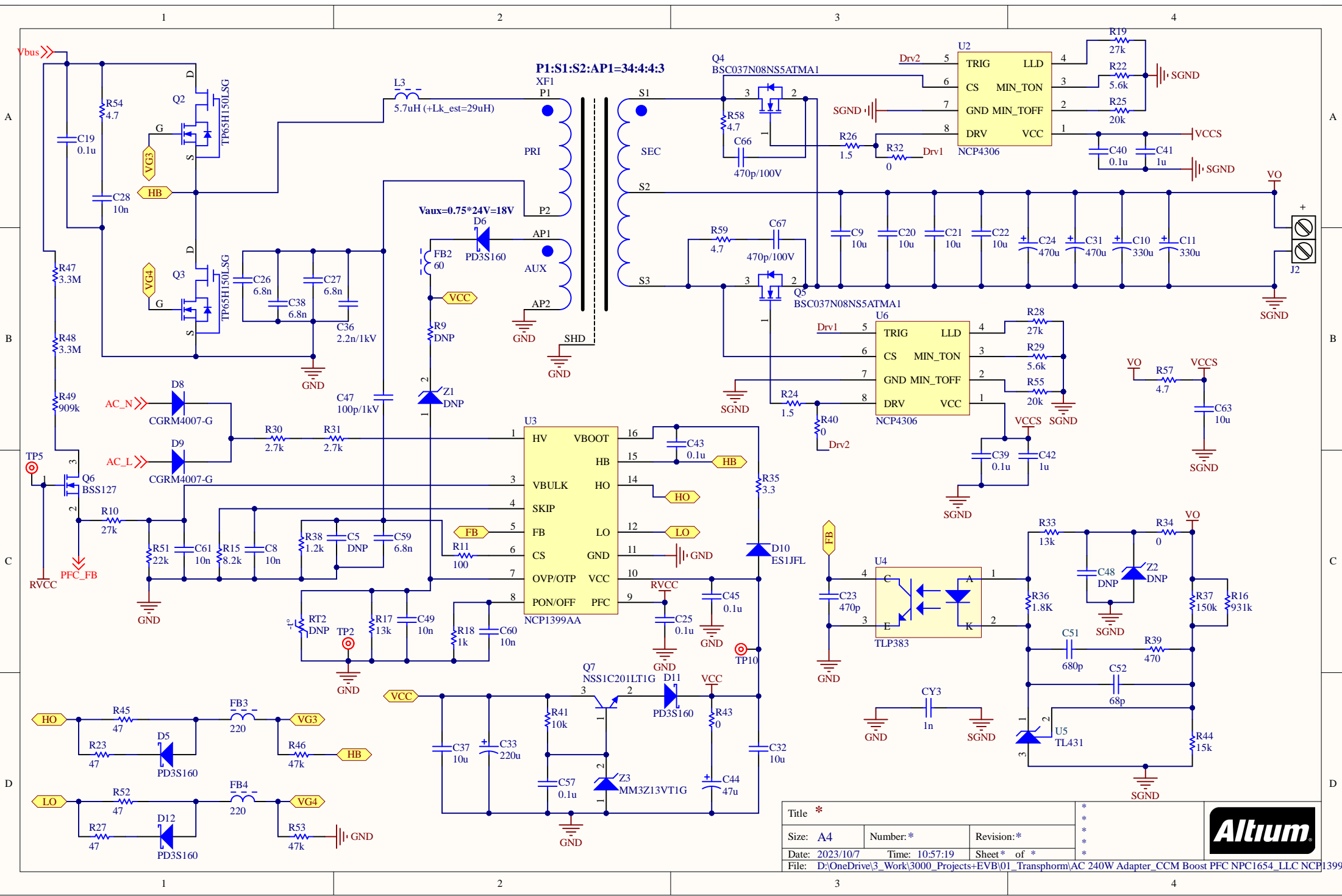
C

D



RT1 is shorted in previous efficiency tests

Title		
Size	Number	Revision
A		
Date:	10/07/2023	Sheet of
File:	D:\OneDrive\...\CCMBoostPFC_RevC5.SchDoc	Drawn By:



Title *		
Size: A4	Number: *	Revision: *
Date: 2023/10/7	Time: 10:57:19	Sheet * of *
File: D:\OneDrive\3_Work\3000_Projects+EVB\01_Transform\AC 240W Adapter_CCM Boost PFC NPC1654_LLC NCP13992.A		

